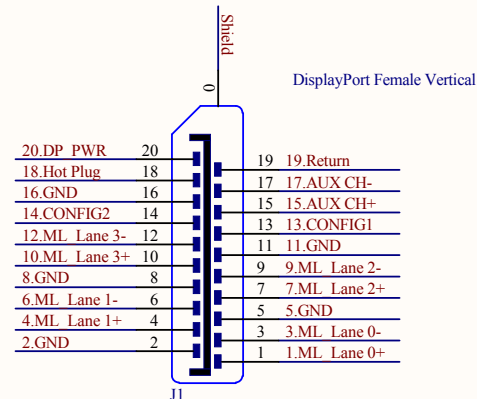
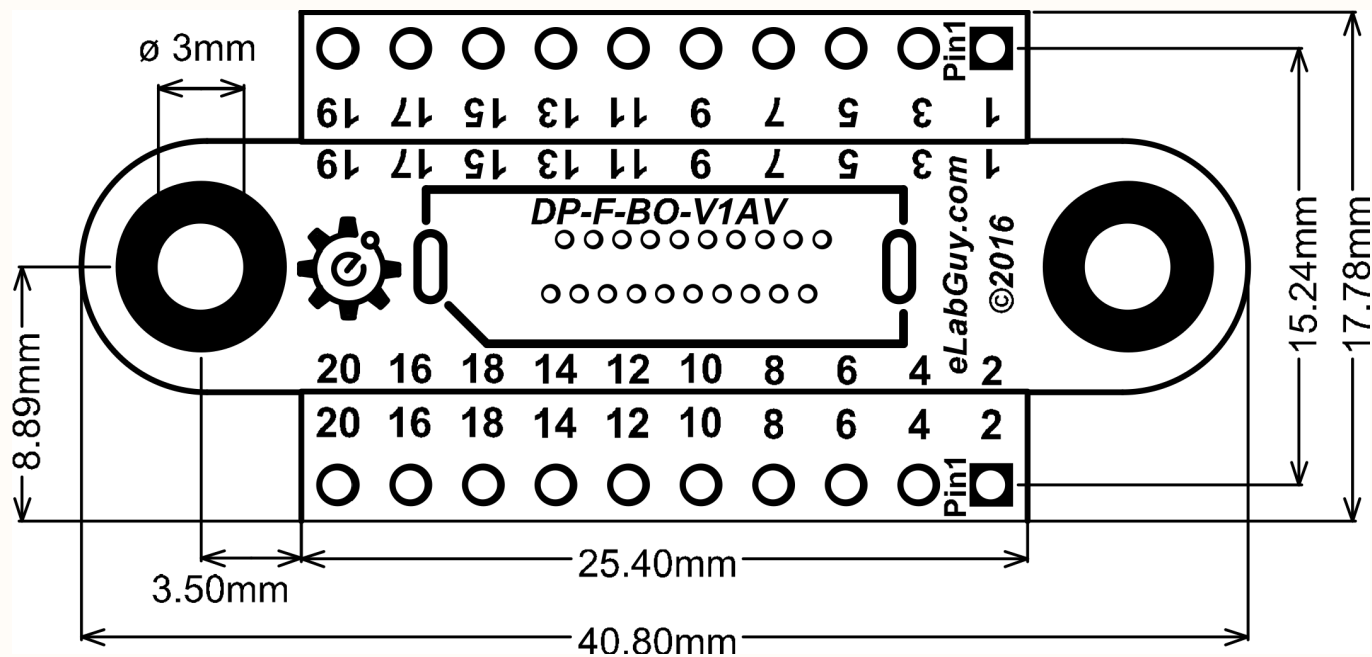
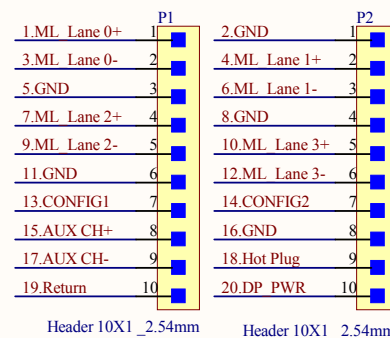


\* PCB 1.60mm THICKNESS



20.DP_PWR	20	19	19_Return
18.Hot Plug	18	17	17_AUX CH-
16.GND	16	15	15_AUX CH+
14.CONFIG2	14	13	13_CONFIG1
12.ML Lane 3-	12	11	11_GND
10.ML Lane 3+	10	9	9_ML Lane 2-
8.GND	8	7	7_ML Lane 2+
6.ML Lane 1-	6	5	5_GND
4.ML Lane 1+	4	3	3_ML Lane 0-
2.GND	2	1	1_ML Lane 0+



Title <b>Displayport Female Breakout Vertical</b>		
Size A4	Number <b>DP-F-BO-V1AV</b>	Revision <b>1AV</b>
Date: 11/5/2016	Sheet of	
File: C:\Users\...DP-F-BO-V1AV Drawing.Sch	Drawn By: www.eLabGuy.com	